

7-STAR^{*}

**Door Release Button Stainless Steel Key Switch for
Access Control Security System Hollow Door**



Key Switch

7-STAR[®]



DOOR RELEASE KEYSWITCH

7-STAR[★]



7-STAR[★]

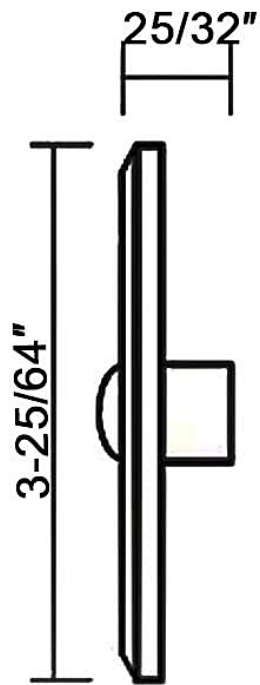
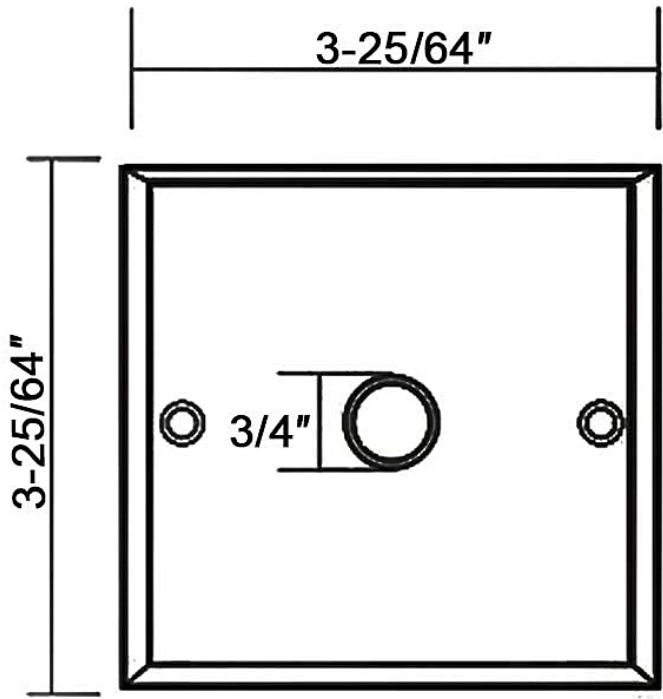
開門匙掣

DOOR RELEASE KEYSWITCH

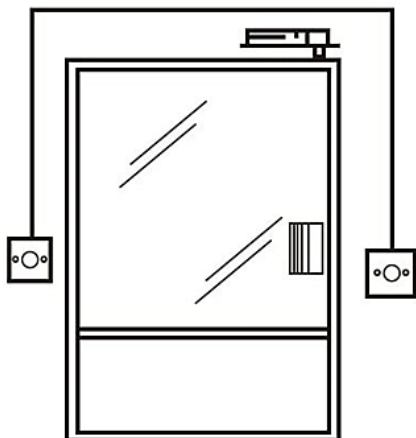


7-STAR^{*}

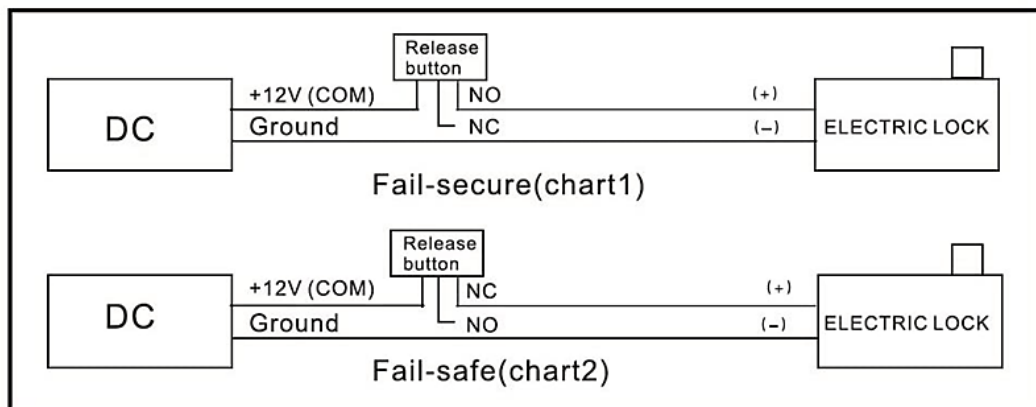
Dimensions:



7-STAR[★]



Installation



7-STAR^{*}

Product description

Features:

Defend and duplicate the key, safer to use.

Tested to 500,000 cycles.

Three contact output, suitable for all kinds of locks.

The best choice for access control.

Specifications:

Dimensions: 3-25/64 x 3-25/64 x 25/32in (L x W x H)

Standard structure: Stainless steel panel, metal Button

Current rating: 3A@36VDC Max

Output contact: NO/NC/COM

Mechanical life: 500,000 tested

Suitable for door: Hollow Door

Operating temp: 10°C ~ +55°C(14-131F)

Operating humidity: 0-95% (relative humidity)

Panel Material: Stainless steel panel,wire drawing finished

Back box finish: Zinc alloy polished and chroming

Net Weight: 80g/2.8oz

Packages:

1 x Door Release Keyswitch