

HIKVISION

1080P

DS-2CV2Q21FD-IW
Camera IR

IR Distance(m) 15M



Q1

HIKVISION

DS-2CV2Q21FD-IW/(16G-T/32G-T/64G-T)

Hikvision DS-2CV2Q21FD-IW English Version 2MP Mini Wi-Fi PT Built-In Microphone And Speak IP Camera

2 MP

Wi Fi



HIKVISION



HIKVISION

90° Viewing Angle

Dimensions (L x W x D)(mm): 82.4 X 113.6 mm



90°

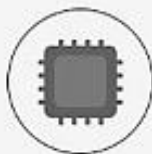
HIKVISION

1080P HD quality

Can display 1080p of fine quality, closer to the real scene



HD lens



1/2.8 "Progressive
Scan



1080P

HIKVISION

Waiting day and night

With the professional wide-angle optical lens, the night can also be shot clearly, for your 24-hour guardian.



Detect at any time

Pick up your phone and remotely monitor everything you want to know



DS-2CV2Q21FD-IW/(16G-T/32G-T/64G-T) 2.0 MP Network PT Camera



Key Features

- Up to 2.0 megapixel high resolution
- Two video streams
- 2.8mm fixed lens
- Digital Wide Dynamic Range
- 3D Digital Noise Reduction
- Build-in microphone and speaker, support two-way audio
- Support on-board storage, up to 128 GB
- Up to 5 m IR range
- Built-in Wi-Fi
- DC 5V \pm 10 %, micro USB interface
- Mobile Monitoring via Hik-Connect or iVMS-4500

Specifications

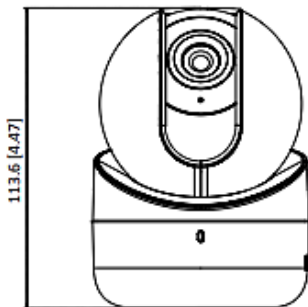
Camera	
Image Sensor	1/2.8" Progressive Scan CMOS
Min. Illumination	0.01Lux @ (F1.2, AGC ON), 0 Lux with IR
Shutter Speed	1/3 s to 1/100,000 s
Slow Shutter	Support
Iris	F2.0
Lens	2.8 mm, horizontal field of view 105.8°
Lens Mount	M12
Day & Night	IR cut filter with auto switch
DNR	3D DNR
Wide Dynamic Range	Digital WDR
Pan/Tilt	Pan: 0° to 355°; Tilt: -10° to 90°
Compression Standard	
Video Compression	Main stream: H.264 Sub stream: H.264
H.264 Type	Baseline Profile/Main Profile
Video Bit Rate	32 Kbps – 8 Mbps
Audio Compression	G.711/G.722.1/G.726/MP2L2/PCM
Audio Bit Rate	64Kbps(G.711)/16Kbps(G.722.1)/16Kbps(G.726)/32-160Kbps(MP2L2)
Image	
Max. Resolution	1920 × 1080
Main Stream	50Hz: 25fps (1920 × 1080, 1280 × 720)
Max. Frame Rate	60Hz: 30fps (1920 × 1080, 1280 × 720)
Sub Stream	50Hz: 25fps (704 × 576, 352 × 288, 640 × 480, 320 × 240)
Max. Frame Rate	60Hz: 30fps (704 × 480, 352 × 240, 640 × 480, 320 × 240)
Image Settings	Brightness, saturation, sharpness, contrast are adjustable via client software
Day/Night Switch	Support auto/scheduled
Backlight Compensation	Support, zone optional
Region of Interest	Support 1 fixed region for each stream
Audio	
Environment Noise Filter	Support
Audio Input/Output	Support mono soundtrack
Audio Sampling Rate	Max. 16 kHz
Network	
Network Storage	Support Micro SD/SDHC/SDXC card, up to 128 GB local storage
Detection	Motion Detection
Alarm Trigger	Video Tampering Alarm, HDD Full, HDD Error, Network Disconnected, IP Address Conflicted, Illegal Login
Protocols	TCP/IP, ICMP, HTTP, HTTPS, FTP, DHCP, DNS, RTP, RTSP, RTCP, NTP, UPnP, IGMP, QoS, IPv6, Bonjour, SMTP, 802.1x
Standard	ISAPI, CGI
General Function	One-key reset, Anti-flicker, Heartbeat, Mirror, Password Protection, Privacy Mask, Watermark
Interface	
Communication Interface	1 RJ45 10M/100M self-adaptive Ethernet port

On-board Storage	Built-in microSD/SDHC/SDXC slot, up to 128 GB
Audio Interface	1 build-in microphone, 1 build-in speaker
Reset	Yes
Wi-Fi	
Wireless Standards	IEEE802.11b, 802.11g, 802.11n
Frequency Range	2.4 GHz - 2.4835 GHz
Channel Bandwidth	20/40MHz Support
Protocols	802.11b: CCK, QPSK, BPSK, 802.11g/n: OFDM
Security	64/128-bit WEP, WPA/WPA2, WPA-PSK/WPA2-PSK, WPS
Transfer Rates	11b: 11Mbps, 11g: 54Mbps, 11n: up to 150Mbps
Wireless Range	50 meters (The performance varies based on actual environment)
General	
Operating Conditions	-10 °C to 40°C (14 °F to 104 °F), Humidity 95% or less (non-condensing)
Power Supply	DC 5V ± 10 %, micro USB interface
Current	Max. 1.4A
Power Consumption	Max. 7W
IR Range	Up to 5 meters
Material	Plastic
Memory Card	DS-2CV2Q21FD-IW: no memory card included DS-2CV2Q21FD-IW/16G-T: includes a 16 GB memory card DS-2CV2Q21FD-IW/32G-T: includes a 32 GB memory card DS-2CV2Q21FD-IW/64G-T: includes a 64 GB memory card
Dimensions	Φ 82.4 × 113.6 mm (Φ 3.25" × 4.47")
Weight (include package)	Approx. 510g (1.12 lb)

Ordering Models

DS-2CV2Q21FD-IW, DS-2CV2Q21FD-IW/16G-T, DS-2CV2Q21FD-IW/32G-T, DS-2CV2Q21FD-IW/64G-T

Dimensions



Unit: mm [inch]

HIKVISION



- 1 x Hikvision DS-2CV2Q21FD-IW 2MP 2.8mm Pan Tilt Baby Monitor Camera
- 1 x Power Cable
- 1 x Screw Set
- 1 x Drill Template
- 1 x Quick User Guide